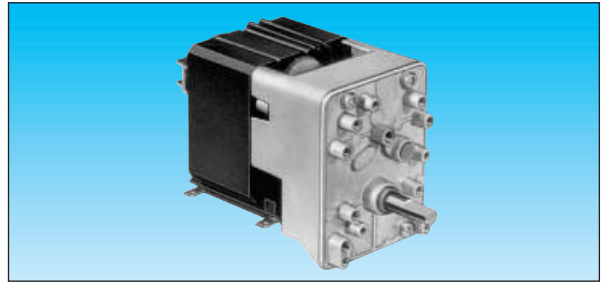


Single-direction asynchronous geared motors

- Long life
- Quiet running
- Sintered bearings, lubricated for life
- Speeds from 20 to 100 rpm
- Usable powers from 3 W to 9 W
- UL - CSA approved see page 4/6
- IP00 degree of protection



Applications

- Office equipment
- Medical equipment
- Roasting and kebab spits
- Automatic feeders
- Automatic barriers
- Travelators
- Mechanised advertising hoardings
- Peristaltic pumps
- Turntables
- Light displays

Made to order products, available on request

Motors :

- other voltages and frequencies
- lead length
- oversized winding (see page 4/4)
- for vertical operation (see page 4/23)
- cooling fan (see page 4/24)
- coil supplied with thermal cut-out to suit duty factor 100 °C, 120 °C, or 130 °C.
- UL/CSA approved products
- rear shaft extension

Gearboxes :

- other output speeds
- other output shafts
- output shaft carried in needle roller bearings
- special cover (see page 4/23)

Types

	82 604 0	82 624 0	82 644 0	82 664 0
--	----------	----------	----------	----------

Voltage and frequency

	230 V 50 Hz	230 V 50 Hz	230 V 50 Hz	230 V 50 Hz
--	----------------	----------------	----------------	----------------

Direction of rotation

	Clockwise or Anti-clockwise	Clockwise or Anti-clockwise	Clockwise or Anti-clockwise	Clockwise or Anti-clockwise
--	--------------------------------	--------------------------------	--------------------------------	--------------------------------

Output speeds (rpm)	Ratios (i)				
100	26	●	●	●	●
80	32.5	●	●	●	●
60	130/3	●	●	●	●
38.4	67.6	●	●	●	●
30.4	598/7	●	●	●	●
20	130	●	●	●	●

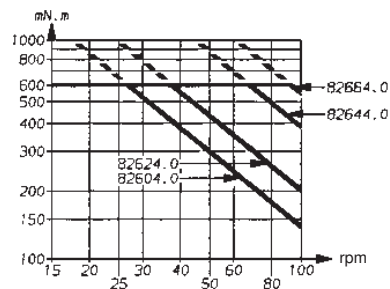
General characteristics

		82 600 0	82 620 0	82 640 0	82 660 0
Motor		82 600 0	82 620 0	82 640 0	82 660 0
Gearbox		81 034 0	81 034 0	81 034 0	81 034 0
Maximum permitted continuous-rated gearbox output torque over 10 million revolutions	Nm	0.6	0.6	0.6	0.6
Single stage gearbox gears (1) except for 100 rpm version plastic gears		plastic	plastic	plastic	plastic
Base speed of motor (with nominal load) 50 Hz	rpm	2600	2600	2600	2600
Axial load (dynamic)	da.N	3.5	3.5	3.5	3.5
Radial load (dynamic)	da.N	5	5	5	5
Absorbed power	W	23.8	23.7	28.4	32
Usable motor power	W	3.1	5.2	8.2	9.5
Cos φ (power factor)		0.53	0.57	0.57	0.57
Maximum temperature rise	°C	70	70	70	70
Ambient temperature	°C	-5 +60	-5 +60	-5 +60	-5 +60
Weight (approximate)	g	850	1000	1300	1600

Options : With catalogue products available to order

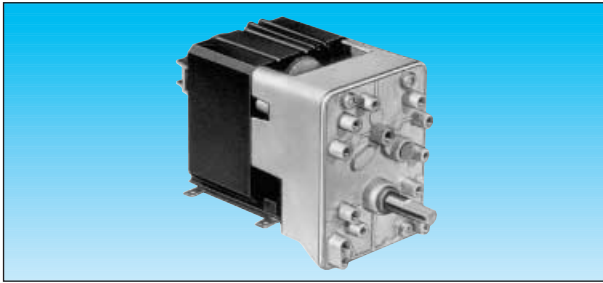
Voltages / Frequencies	24-115-240V - 50Hz	●	●	●	●
	24-115V - 60Hz	●	●	●	●
Coil with flying leads (length 250 mm)		●	●	●	●
Electro-mechanical brake (see page 4/23)		●	●	●	●

Torque /Speed curves



Other information

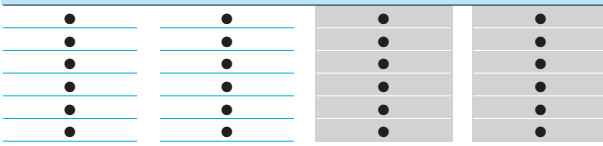
Basic principles see page 4/3
 Insulation class IEC 85 : A
 Speed rises by 20 % for a change in supply frequency from 50 Hz to 60 Hz.



82 602 0 82 622 0 82 642 0 82 662 0

230 V 230 V 230 V 230 V
50 Hz 50 Hz 50 Hz 50 Hz

Clockwise or Anti-clockwise Clockwise or Anti-clockwise Clockwise or Anti-clockwise Clockwise or Anti-clockwise

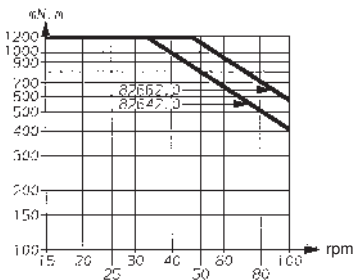
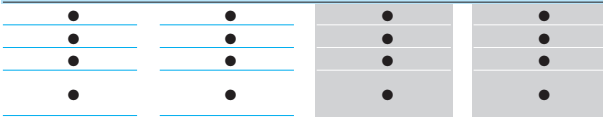


82 600 0 82 620 0 82 640 0 82 660 0
81 032 0 81 032 0 81 032 0 81 032 0

1.2 1.2 1.2 1.2

metal (1) metal (1) metal (1) metal (1)

2600 2600 2600 2600
3.5 3.5 3.5 3.5
5 5 5 5
23.8 23.7 28.4 32
3.1 5.2 8.2 9.5
0.53 0.57 0.57 0.57
70 70 70 70
-5 +60 -5 +60 -5 +60 -5 +60
950 1100 1400 1700



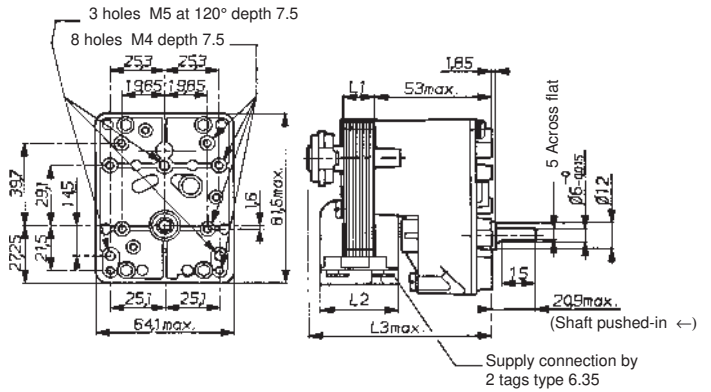
1

Dimensions

2

82 604 0 - 82 624 0 - 82 644 0 - 82 664 0

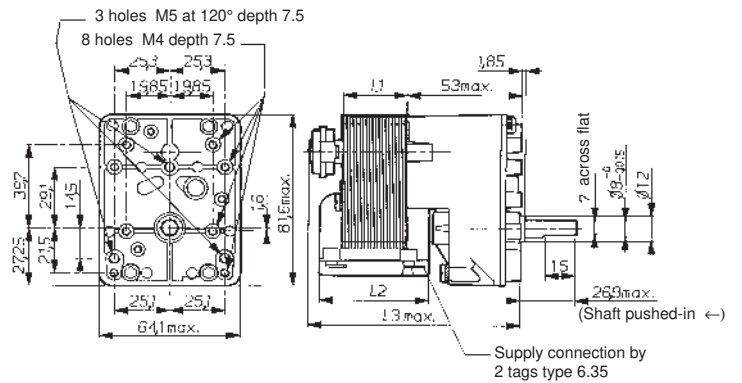
3



Type	L1(mm)	L2(mm)	L3(mm)
82 604 0	14	35	84
82 624 0	20	42.6	90
82 644 0	30	52.6	100
82 664 0	40	62.6	110

5

82 602 0 - 82 622 0 - 82 642 0 - 82 662 0



Type	L1(mm)	L2(mm)	L3(mm)
82 602 0	14	35	84
82 622 0	20	42.6	90
82 642 0	30	52.6	100
82 662 0	40	62.6	110

To order, specify :

● Standard products, non stocked	1 Type	2 Voltage and frequency	3 Direction of rotation	4 Output speed	5 Option
● Made to order products available on request	Example : Single - direction asynchronous geared motor - 82 604 0 - 230 V - 50 Hz - CW - 100 rpm - Electro-mechanical brake				