

EWTM 101/102/202

electronic digital thermometer



Description

The EWTM 101, 102 and 202 are electronic digital thermometers which can be connected to various types of probes (PTC, Pt100, Ni100, TcJ, TcK); they are available in the 32x74 standard format. The measuring range goes from -80 to 999 °C, according to the type of probe, and temperature values are viewed on a 3-digit plus sign display for EWTM 102 and 202, 2-digit display for EWTM 101. The power supply voltage is 12 V \pm 15% for EWTM 101 and 102 models, 230, 115, 24 or 12 V \pm 10% for EWTM 202 model.

Technical Data

Container: PC+ABS plastic resin with extinguishing classification UL94 V0.

Size: front panel 32x74 mm, depth 67 mm.

Mounting: panel, on 71x29 mm. hole.

Connections: on screw clamp for 2.5 mm² conductors (one conductor only per terminal, according to VDE regulations).

Protection: on request, a shelter (roofing tile) with restrained mounting on the back of the instrument is supplied in order to protect the screw clamp.

Usage temperature: -5...60 °C.

Storage temperature: -30...75 °C.

Display: 2 or 3 digits (depending on model), 12.5 mm high.

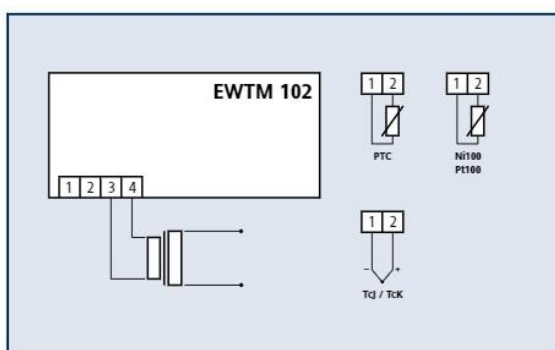
Analogue input: for PTC, Pt100, Ni100, TcJ, TcK probe.

Resolution: 1 °C or 0.1 °C (for PTC probe only).

Accuracy: better of the 0.5% than the end of scale.

Power supply: 12 V \pm 15% for EWTM 101 and 102 models; 230, 115, 24, 12 V \pm 10% for EWTM 202 model.

Electrical Diagram



Electrical Diagram Description

- 1-2 Probe input
- 3-4 Power supply

