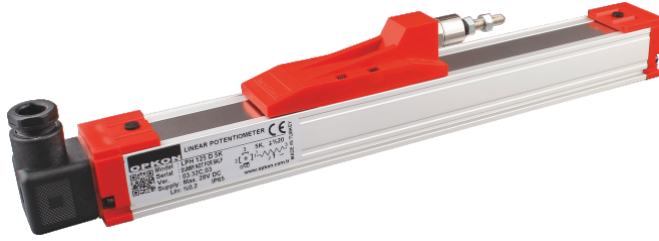


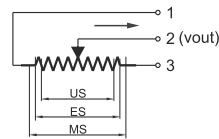
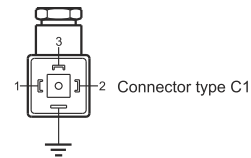
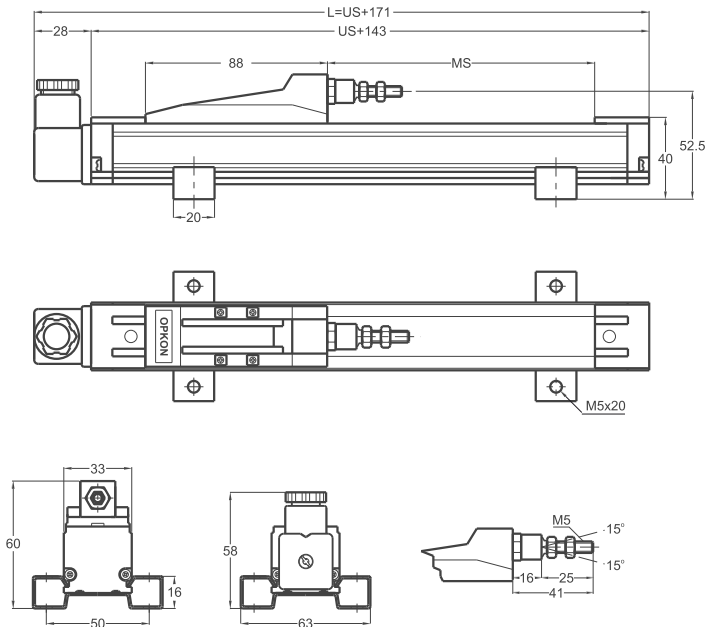
Linear Potentiometer

- Measuring range 100 - 2000 mm
- Long mechanical life 100 million movements
- Excellent repeatability <0.01 mm
- Infinite resolution
- 5 kOhm <650 mm,
650>= 10 kOhm <1250 mm,
1250>= 20 kOhm



Technical specifications

| | |
|-----------------------------|--|
| Measurement stroke | 100 to 2000 mm |
| Linearity | ± %0,05 (>200 mm), ±%0,1 (130 - 200 mm), ±%0,2 (75 - 130 mm), ±%0,5 (<75 mm) |
| Repeatability | < 0,01 mm |
| Resolution | Infinite |
| Resistance | 5 kOhm <650 mm, 650>= 10 kOhm <1250 mm, 1250>= 20 kOhm |
| Resistance tolerance | ± %20 |
| Load resistance | 100 kOhm min. |
| Recommended cursor current | < 1 µA |
| Permissible applied voltage | 28 VDC max. |
| Electrical connections | 4 pin connector |
| Displacement speed | < 1,5 m/s |
| Mechanical life | 100 million movement |
| Case dimensions | 33 mm x 33 mm |
| Case material | Anodized aluminium |
| Mechanical fixing | Variable brackets |
| IP degree | IP 40 (if mounted upside down IP 53) |
| Operating temperature | -20°C ... +80°C |
| Storage temperature | -30°C ... +90°C |



| | | | | | | | | | | | | | | | | | | | | | | | | | | | | | |
|------------------------|-----|-----|-----|-----|-----|-----|-----|-----|-----|-----|-----|-----|-----|-----|-----|-----|-----|-----|-----|-----|-----|-----|------|------|------|------|------|------|------|
| LPH (mm) | 100 | 125 | 130 | 150 | 175 | 200 | 225 | 250 | 275 | 300 | 325 | 350 | 375 | 400 | 450 | 500 | 550 | 600 | 650 | 700 | 750 | 800 | 850 | 900 | 1000 | 1250 | 1500 | 1750 | 2000 |
| US (Usefull Stroke) | 100 | 125 | 130 | 150 | 175 | 200 | 225 | 250 | 275 | 300 | 325 | 350 | 375 | 400 | 450 | 500 | 550 | 600 | 650 | 700 | 750 | 800 | 850 | 900 | 1000 | 1250 | 1500 | 1750 | 2000 |
| MS (Mechanical Stroke) | 104 | 129 | 134 | 154 | 179 | 204 | 229 | 254 | 279 | 304 | 329 | 354 | 379 | 404 | 454 | 504 | 554 | 604 | 654 | 704 | 754 | 804 | 854 | 904 | 1004 | 1254 | 1504 | 1754 | 2004 |
| L (Total Length) | 271 | 296 | 301 | 321 | 346 | 371 | 396 | 421 | 446 | 471 | 496 | 521 | 546 | 571 | 621 | 671 | 721 | 771 | 821 | 871 | 921 | 971 | 1021 | 1071 | 1171 | 1421 | 1671 | 1921 | 2171 |

| Model | Measurement stroke (mm) | Linearity (%) | Resistance (KOhm) | Connector / Cable |
|---------------|-------------------------|---|--|---------------------|
| (example) LPH | 500 | D | 5K | C1 |
| LPH | 100 ... 2000 mm | D: ±%0,05 (>200 mm), ±%0,1 (130 - 200 mm), ±%0,2 (75 - 130 mm), ±%0,5 (<75 mm) | 5K: 5 KOhm 10K: 10 KOhm 20K: 20 KOhm | C1: 4 pin connector |