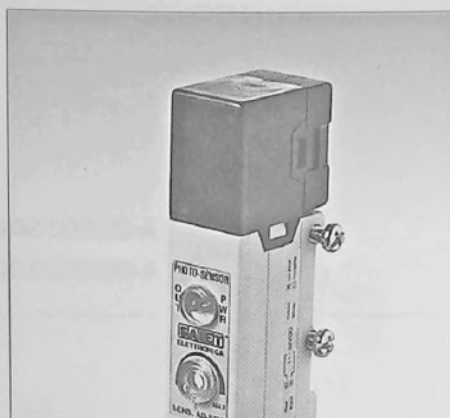




All the models are supplied with potentiometer to allow a better regulation of the operating distance. The main feature is the new 4 wire programmable output: the outputs are NPN and PNP at the same time and the contact will be N.O. or N.C. depending on the wiring.



All the models are available for horizontal and vertical mounting. Operating distances are particularly high: 2 m the diffuse reflective types, 4 m the retroreflective types (using reflector CT-5) and 20 m the through beam types. A bracket and a screwdriver are supplied together with the sensor.

A DIFFUSIONE
DIFFUSE REFLECTIVE

| MODELLO / MODEL | A-D32KU/3QD/D1 | A-D32KU/3QD/D1/V | A-D32KU/3QD/D2 | A-D32KU/3QD/D2/V |
|--------------------------------------------|---------------------------|-----------------------|---------------------------|-----------------------|
| Distanza di scatto Operating distance | 1 m | | 2 m | |
| Assorbimento Power drain | 20 mA _{max} | | 35 mA _{max} | |
| Direzione di lavoro Operating direction | Orizzontale Horizontal | Verticale Vertical | Orizzontale Horizontal | Verticale Vertical |

A RETTORIFLESSIONE
RETROREFLECTIVE

| MODELLO / MODEL | D-D32KU/3QD/D4 | D-D32KU/3QD/D4/V |
|--------------------------------------------|-----------------------------------------------------|-----------------------|
| Distanza di scatto Operating distance | 4 m con catarifrangente CT-5 / using reflector CT-5 | |
| Assorbimento Power drain | 20 mA _{max} | |
| Direzione di lavoro Operating direction | Orizzontale Horizontal | Verticale Vertical |

A BARRIERA
THROUGH BEAM

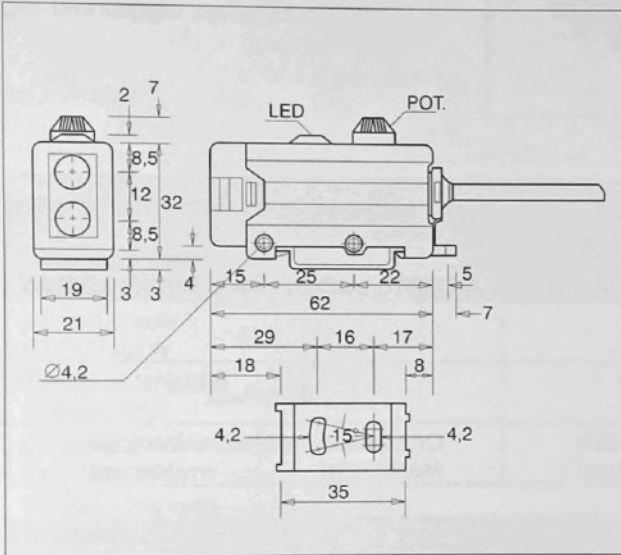
| MODELLO / MODEL | B-D32KU/3QD/D10 B-D32KU/00 | B-D32KU/3QD/D10/V B-D32KU/00/V | B-D32KU/3QD/D20 B-D32KU/01 | B-D32KU/3QD/D20/V B-D32KU/01/V |
|--------------------------------------------|---------------------------------------------------------------------------------------------|-----------------------------------|-------------------------------|-----------------------------------|
| Distanza di scatto Operating distance | 10 m | | 20 m | |
| Assorbimento Power drain | Trasmittitore / Emitter: 30 mA _{max} ; Ricevitore / Receiver: 20 mA _{max} | | | |
| Direzione di lavoro Operating direction | Orizzontale Horizontal | Verticale Vertical | Orizzontale Horizontal | Verticale Vertical |

Sensori fotoelettrici: serie rettangolare standard
Photoelectric sensors: rectangular standard series

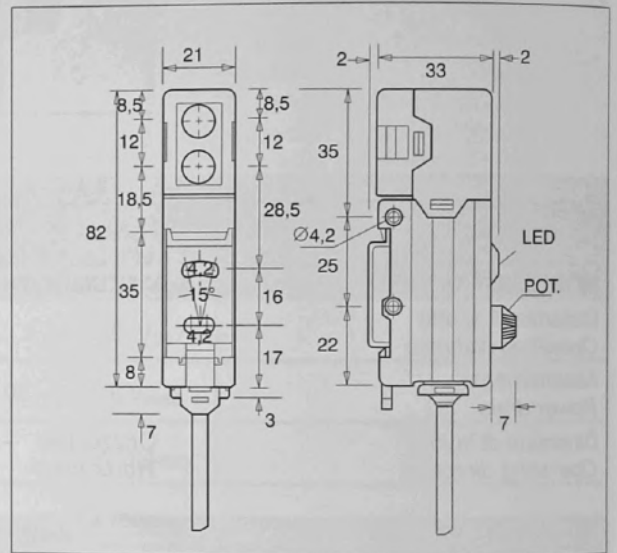


SAIET
 ELETTRONICA

A-D32KU/3QD/D1
A-D32KU/3QD/D2

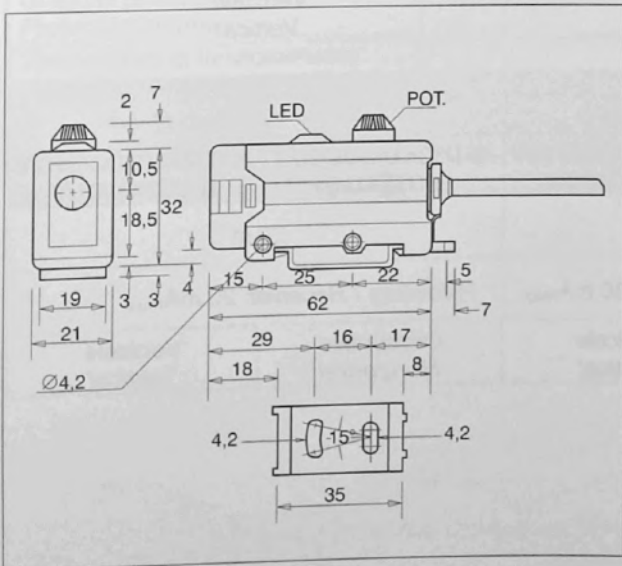


A-D32KU/3QD/D1/V
A-D32KU/3QD/D2/V



B-D32KU/3QD/D10
B-D32KU/00
B-D32KU/3QD/D20

B-D32KU/01



B-D32KU/3QD/D10/V
B-D32KU/00/V
B-D32KU/3QD/D20/V

B-D32KU/01/V

